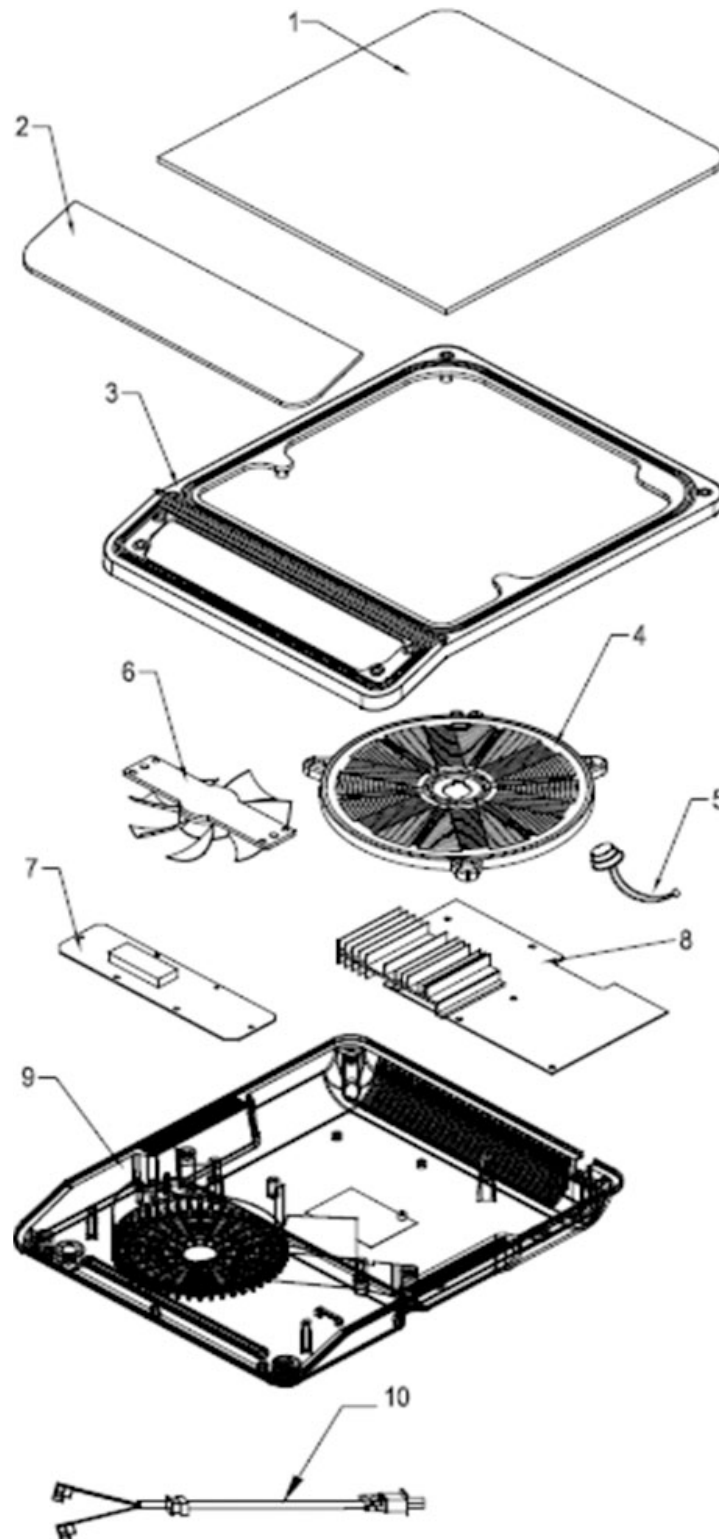


Parts Breakdown

Model CE-CN-0288 45486



Parts Breakdown

Model CE-CN-0288 45486

Item No.	Description	Position	Item No.	Description	Position	Item No.	Description	Position
62305	Black Crystal Glass for 45486	1	62309	Sensor for 45486	5	62313	Bottom Housing for 45486	9
62306	Tempered Glass Control Panel for 45486	2	62310	Fan for 45486	6	62314	Power Cord and Plug for 45486	10
62307	Top Plastic Frame for 45486	3	62311	Light Board for 45486	7			
62308	Coil Pan for 45486	4	62312	Main Board for 45486	8			